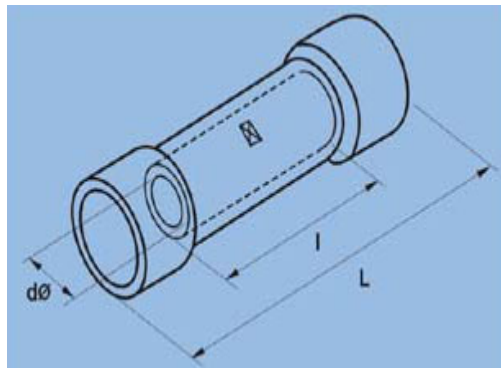


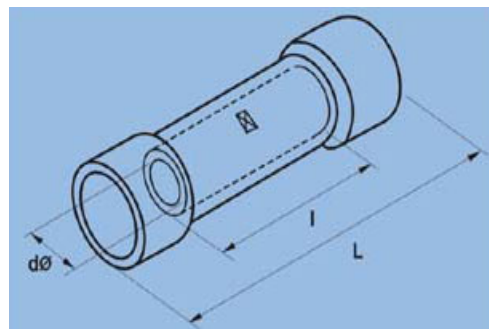


Long & Short full insulating middle joint

Tel: 86-577-61753050 Fax: 86-577-61753040 Email:sales@wzdod.com Http://www.wzdod.com



ITEM.NO.	CLNLE SQ		DIMENSION			IMAX	INSULATION COLOR
	A.W.G	mm ²	l(mm)	D Φ(mm)	L(mm)		
BV1.25	22~16	0.5~1.5	15	1.7	26	19A	Red
BV2	16~14	1.5~2.5	15	2.3	26	27A	blue
BV5.5	12~10	4~6	15	3.4	26	48A	yellow
BV8	#8	6~10	21	4.5	32	62A	red
BV14	#6	10~16	26	5.8	42	88A	blue
BV22	#4	16~25	29	7.7	50	115A	yellow
BV38	#2	35~50	32	9.4	55	160A	red



ITEM.NO.	CLNLE SQ		DIMENSION			IMAX	INSULATION COLOR
	A.W.G	mm ²	l(mm)	D Φ(mm)	L(mm)		
PVT1.25	22~16	0.5~1.5	8	1.7	16	19A	Red
PVT2	16~14	1.5~2.5	8	2.3	16	27A	blue
PVT5.5	12~10	4~6	8.5	3.4	20.5	48A	yellow